

RF Scrub Contactor

Excellent RF Performance with Low Cost of Ownership



Automotive / Power



Mobility



Precision Analog / Sensors



High End Digital



RF

Benefits

- Easy to maintain
- Elastomer-free
- Pins easy to replace in less than 5 minutes
- Long cleaning intervals up to 100,000 cycles
- Lifetime – up to 500,000 cycles
- No load board wear and tear

Key Features

- Extremely short signal length
- Insertion loss 33 GHz @ -1 dB
- Smallest pitch available 0.40 mm
- Contact Resistance below 50 mΩ
- Continuous current 2 A
- Tungsten pin with hard gold plating
- Wide package range: SO, DFN, QFN
- Wide temperature range (-40 °C to +150 °C)

- Temperature range -55 °C to +155 °C
- Ideal for RF and acoustic applications

- Tungsten pin material with hard gold plating
- Long-life, easy field maintainability

RF Scrub Contactor

Excellent RF Performance with Low Cost of Ownership

Specifications

Packages and Applications

- SO, DFN, QFN
- 0.40 mm pitch and up

Environmental

Temperature Range:

- -55°C to +155°C

Reliability*

- Typical probe life: 500,000 cycles
- Cleaning interval: 100,000 insertions

Electrical

Bandwidth @ -1 dB Insertion Loss

- 33 GHz

Loop Inductance

- 0.29 nH

Contact Resistance**

- 50 mΩ

Current Carrying Capacity

20° Celsius Temperature Rise

- 2 A

Mechanical

Contact Pitches Supported

- 0.4 mm and up

DUT Compression

- 0.20 to 0.25 mm

Contact Spring Force at Test Height

- 0.23 N (23 gf)

Materials

Housing Material

- Vespel® SP-1
- Torlon®

DUT and PCB Tip Plating

- High hardness gold

DUT and PCB Tip Base Material

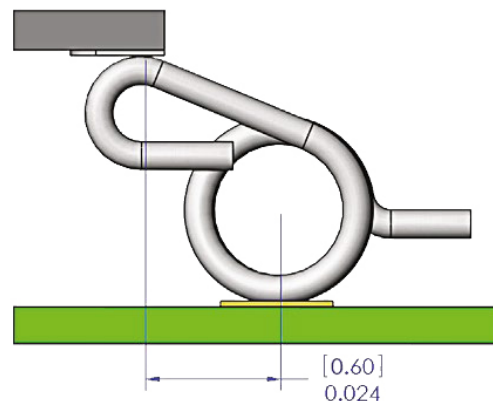
- Tungsten

Spring Material

- Tungsten

Plating Material

- Hard gold



* Cleaning frequency and life specifications are estimates based on customer feedback. Actual values are dependent on the application (DUT materials, handler kit, maintenance, etc.)

** Typical resistance measured between Au plated sheets

All specifications are subject to change without notification and are for reference only. Use contactor drawing to design interface hardware. For detailed performance specifications, please contact Cohu.